

JOHAN 2 NEW 06

Art.-Nr.

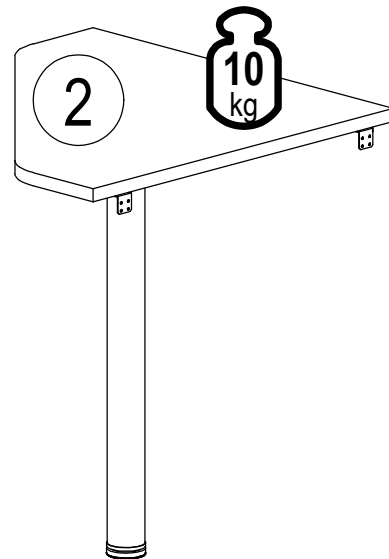
278212
278022
278023

	674
	735
	674
	mm

1/2
ZO

	 30min		 PZ 2	 3m	 6
--	-----------	--	----------	--------	-------

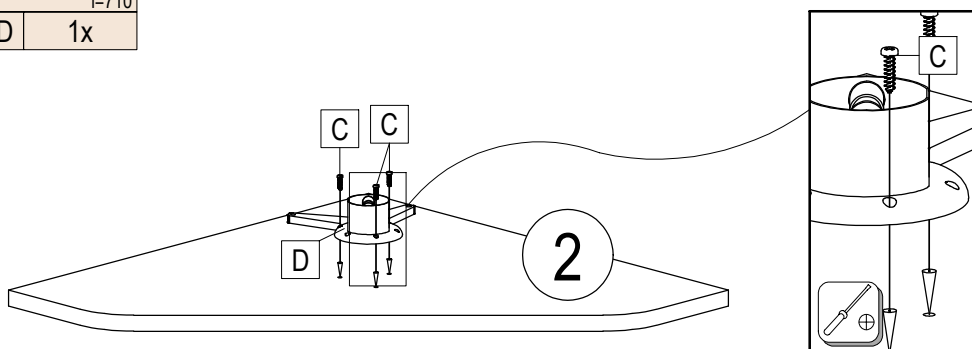
17662	②	674*674*22	1x	1/2
			1x	2/2



31098.00	22243.00	22227.00	60045.00
30x30x30	Ø3,5x15	Ø4,5x20	l=710
A 4x	B 32x	C 7x	D 1x



Ø4,5x20	l=710
C 3x	D 1x



Ø4,5x20
C 4x

